


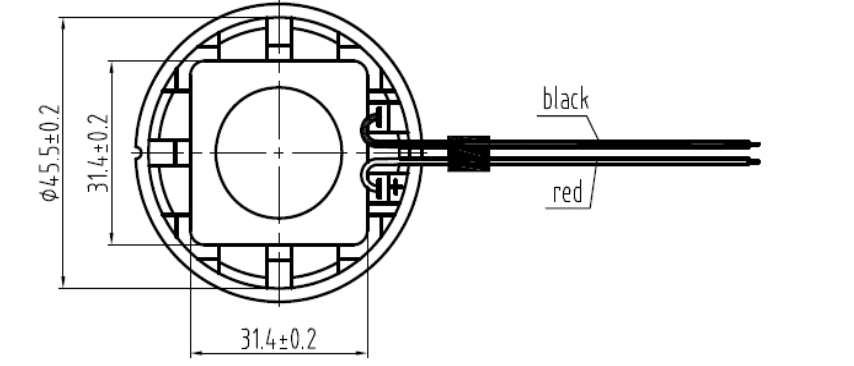
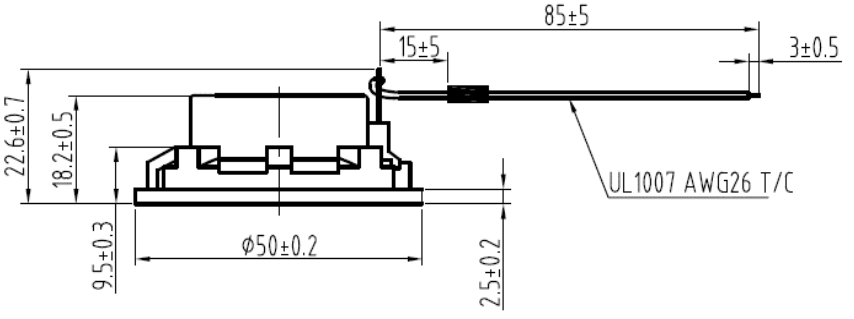
| MAIN APPLICATION | TYPE | MAGNET | |
|------------------|------|----------|----------------------|
| Telecom | 50mm | Material | Magnet Size (Square) |
| | | Ferrite | □28.5x□12.5x5mm |

| GASKET | MEMBRANE | BASKET | WEIGHT | REMARKS |
|--------|---------------|---------|--------|-----------------|
| - | Mylar Plastic | Plastic | 47 ±5g | With cable 85mm |

| ITEM | SPECIFICATIONS | VALUES | TEST CONDITIONS |
|------|----------------------|-----------------------------------------------------------------------|-----------------------------------|
| 1 | Dimensions | ∅50mm | per mechanical Drawings |
| 2 | Impedance | 4Ω ±15% | 1kHz / 1.0V |
| 3 | Nominal Power | 1.0 Watts | |
| 4 | Max Power | 2.0 Watts | |
| 5 | Resonant Frequency | 300Hz ±20% | 1.0V |
| 6 | Sensitivity (S.P.L.) | 73dB ±2dB | 0.1W/1m, Average 0.8/1/1.2/1.5kHz |
| 7 | Frequency Response | 300Hz to 10KHz | 0.1W/1m, Tolerance Max 20dB |
| 8 | THD | 2% max | 1kHz 0.1W/1m |
| 9 | Storage Temperature | -25°C to +80°C guaranteed range for transportation & storage | |
| 10 | Polarity | Membrane move forward when positive DC is applied to the '+' terminal | |

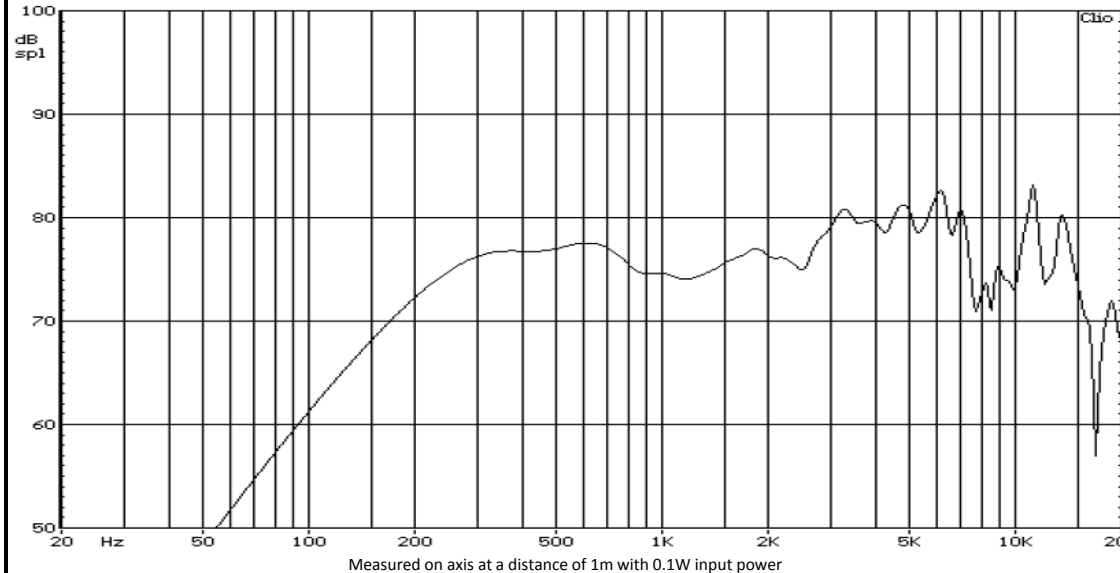
| PACKAGING | SPECIFICATIONS |  |
|---------------|-------------------------|-------------------------------------------------------------------------------------|
| Carton size: | 365x365x185mm | |
| Qty/Carton: | 216 (3 layers of 72pcs) | |
| Gross Weight: | 12.5Kg | |

Mechanical Drawings



| ITEM | TEST | TEST CONDITIONS | RESULT |
|------|-------------------------|------------------------------------------------|------------------------------------------------------------------------------------------|
| 11 | Rub & Buzz | Rated Power Sin wave (speaker frequency range) | No Buzzes or Rattles. |
| 12 | High Voltage Resistance | 100VAC / 1mn between terminals and frame. | Must be normal |
| 13 | Insulation Resistance | 100VDC between terminals and frame. | ≥ 1MΩ |
| 14 | Load | White Noise at Rated Power for 96h | After 1 hour of rest at room ambient conditions, speakers must meet specs items 2, 5, 6. |
| 15 | High Temp. | +60±3°C for 96h (random 20%-50%RH) | |
| 16 | Low Temp. | -25±3°C for 96h (random 20%-50%RH) | |
| 17 | Humidity | +40±3°C ambient and 90%RH for 96h | |

Typical Frequency Response



| | | | |
|----------------------|------------|--------|----------------|
| Part n° | | | |
| SOD20722X4CVC | | | |
| REV | DATE | SHEET | |
| 0,2 | 01/08/2017 | 1 of 1 | RoHS Compliant |